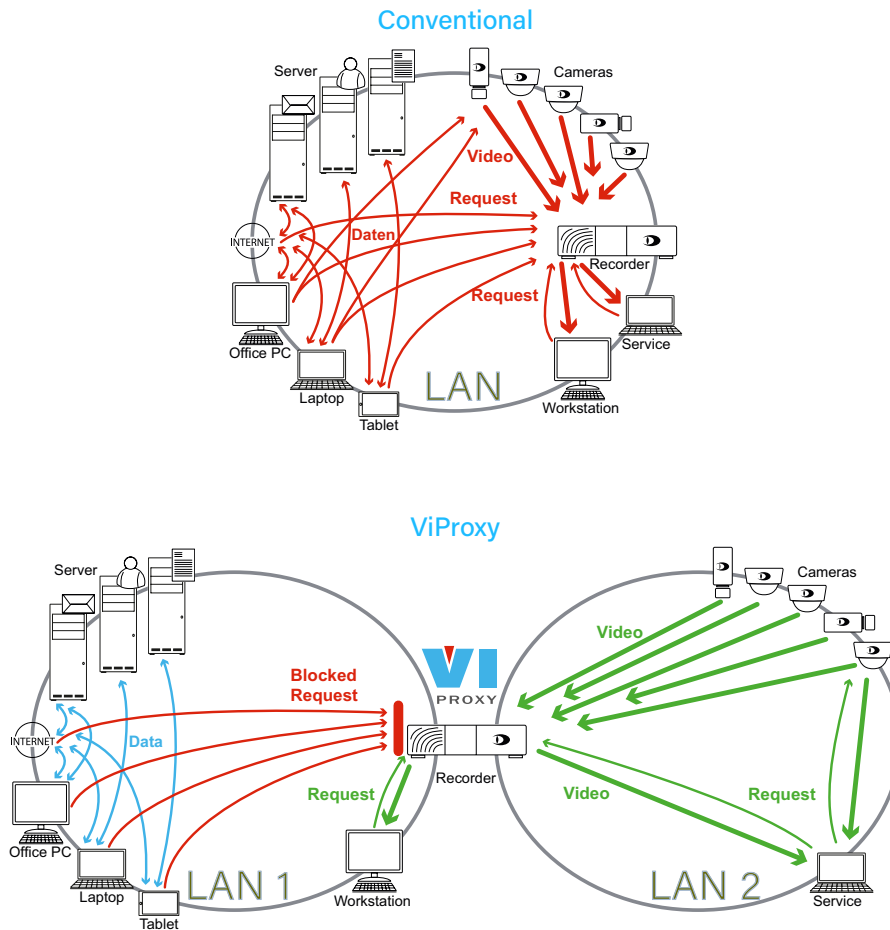


SMAVIA appliances are equipped with **two network interfaces** and can be integrated into **two physically separated networks**.

The **ViProxy** (Video Proxy Server) function controls all received and sent **audio and video streams** in this case. It can significantly contribute to **increase the data security** and **reduce the corporate network load**. Moreover, ViProxy enables the **use of special components** for the video network, regardless of the corporate network IT infrastructure.



Security

- Linking unit between corporate and video network
- Integrated permission management
- Integrated firewall function (port management)
- No unauthorized access from the Internet
- No unauthorized access from other local networks
- No unauthorized access of unauthorized clients
- No unauthorized access to configuration
- No unauthorized access to live stream
- Video service directly in the video network
- Video workstation in the corporate network
- Cameras are invisible in the corporate network
- Accidental access to cameras excluded

Network Load

- Separation of data and video streams
- Reduction of the corporate network load
- No impairment of the video network
- No impairment of the corporate network
- Unaffected by load peaks
- Networks with different capacities are possible
- Further load decrease by accessing via PRemote-HD

Special Hardware

- Use of special hardware in the video network possible
- Independent of corporate network IT infrastructure
- Approval processes for the company network no longer necessary
- Only one port at the corporate network switch required
- Separation of the networks by disconnecting one connection
- Quick and easy separation of the networks
- Easy management and maintenance
- Pre-configuration (names, IP addresses, etc.) possible
- Use of the pre-configuration for several sites possible